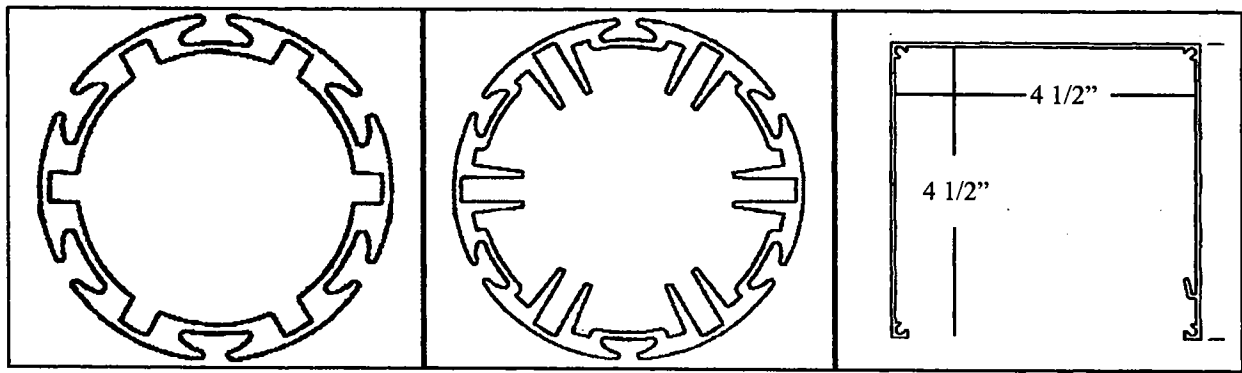


1 1/4" Tube

1 5/8" Tube

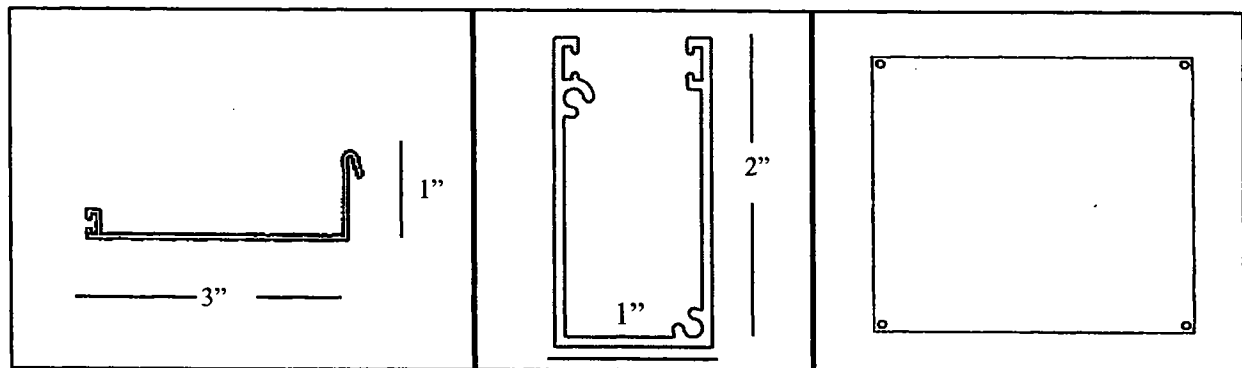
1 3/4" Tube



2.30" Tube

3" Tube

Valance Box Enclosure



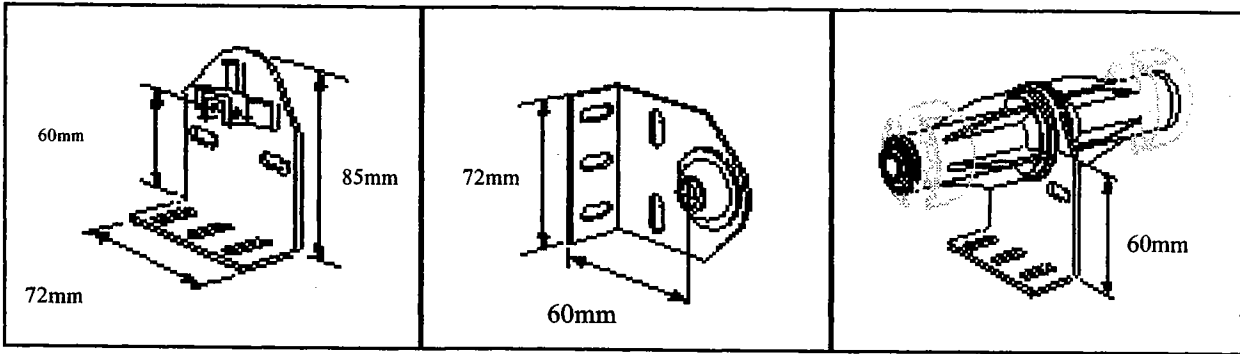
Valance Box Closure Panel

2" Side and Sill Channel

Valance Box End Cover

ACACIA SHADE
SPECIFICATIONS

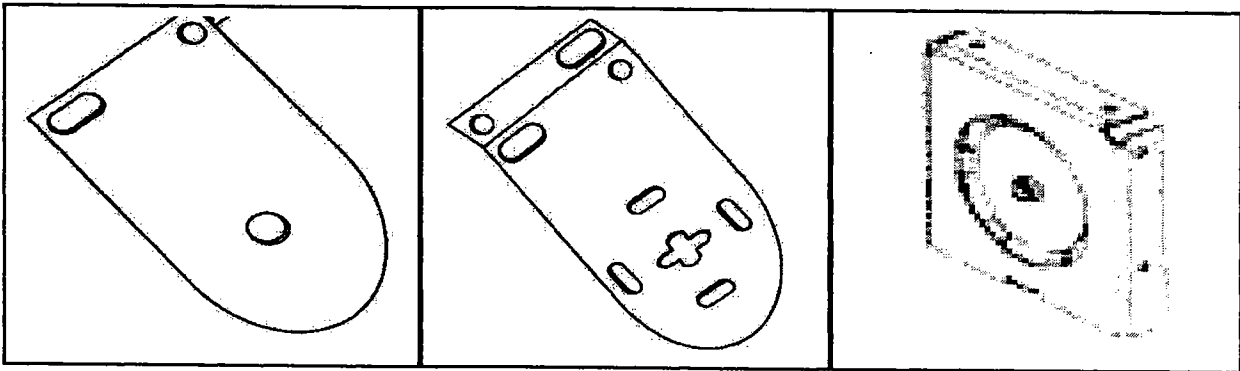
12500



Motor End Bracket

Idle End bracket

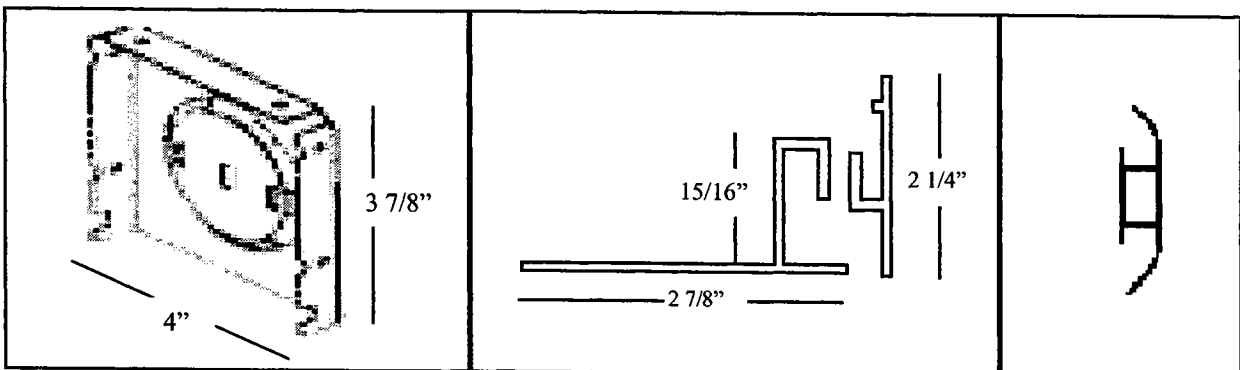
Straight Coupler



Standard Manual Idle End Bracket
 (sizes vary see spec.)

Standard Manual Clutch Bracket
 (sizes vary see spec.)

Fascia Bracket (idle end)



Fascia Bracket (clutch end)

Closure Panel and Hanger

Secure Grip
 Spline

Roller Shade Manual Clutch System Fabrication Chart

Clutch & Tube Size Selection

Up to 12 oz/yd² Fabric Weight

		Width in Inches																						
		24	30	36	42	48	54	60	66	72	78	84	90	96	102	108	114	120	126	132	138	144	150	156
H e i l g h t i n i n c h e s	36	1 1/4" Clutch & Tube																						
	42	1 1/4" Clutch & Tube																						
	48	1 1/4" Clutch & Tube																						
	54	1 1/4" Clutch & Tube																						
	60	1 1/4" Clutch & Tube																						
	66	1 1/4" Clutch & Tube																						
	72	1 1/4" Clutch & Tube																						
	78	1 1/4" Clutch & Tube																						
	84	1 5/8" Clutch & Tube																						
	90	1 5/8" Clutch & Tube																						
	96	1 5/8" Clutch & Tube																						
	102	1 3/4" Clutch & Tube																						
	108	1 3/4" Clutch & Tube																						
	114	1 3/4" Clutch & Tube																						
	120	1 3/4" Clutch & 2.3" Tube																						
	126	1 3/4" Clutch & 2.3" Tube																						
	132	1 3/4" Clutch & 2.3" Tube																						
	138	No Spring Assist, No Surcharge														1 3/4" Clutch & 2.3" Tube								
144	No Spring Assist, No Surcharge														With Spring Assist Mechanism									
150	No Spring Assist, No Surcharge														With Spring Assist Mechanism									
156	No Spring Assist, No Surcharge														With Spring Assist Mechanism									
162	No Spring Assist, No Surcharge														With Spring Assist Mechanism									
168	No Spring Assist, No Surcharge														With Spring Assist Mechanism									
174	No Spring Assist, No Surcharge														With Spring Assist Mechanism									
180	No Spring Assist, No Surcharge														With Spring Assist Mechanism									